



MAX16822B Evaluation Kit

General Description

The MAX16822B evaluation kit (EV kit) demonstrates the MAX16822B hysteretic current-mode high-brightness LED (HBLED) driver IC. The MAX16822B EV kit is configured as a step-down topology with a constant-current HBLED driver circuit for external HBLEDs. The MAX16822B EV kit operates from a DC supply voltage of 6V to 65V and is configured to deliver up to 350mA of current to user-supplied HBLEDs. The output voltage for the HBLED string can go up to 64V and depends upon the EV kit's input voltage.

The MAX16822B EV kit can be configured for digital pulse-width modulation (PWM) dimming operation using a digital PWM input signal to control the HBLEDs' brightness. The 16822B has an undervoltage lockout (UVLO) feature that disables the EV kit at low input voltage. The EV kit circuit also features a thermal foldback and temperature simulation circuit feature. The MAX16822B EV kit is a fully assembled and tested surface-mount board. The MAX16822B EV kit can also evaluate the MAX16822A, or for higher currents, a MAX16832 IC.

Warning: Voltages exceeding 42V may exist on the LED+ and LED- output pads.

Features

- ◆ 6V to 65V Wide Supply Voltage Range
- ◆ 333mA LED Current
- ◆ Digital PWM Dimming Control
- ◆ Analog Dimming Control
- ◆ Thermal Foldback and Temperature Simulation Circuit
- ◆ Evaluates MAX16822A (IC Replacement Required)
- ◆ Fully Assembled and Tested

Ordering Information

PART	TYPE
MAX16822BEVKIT+	EV Kit

+Denotes lead-free and RoHS compliant.

Component List

DESIGNATION	QTY	DESCRIPTION
C1	1	1 μ F \pm 10%, 100V X7R ceramic capacitor (1210) Murata GRM32CR72A105K
C2	1	0.01 μ F \pm 10%, 50V X7R ceramic capacitor (0603) Murata GRM188R71H103K
C3	0	Not installed, ceramic capacitor (1210)
D1	1	100V, 1A Schottky rectifier diode (SMB) Central Semiconductor CMSH1-100 (Top Mark: CS100)
JU1, JU2	2	2-pin headers
L1	1	220 μ H, 0.720A inductor Coilcraft MSS1038-224KL

DESIGNATION	QTY	DESCRIPTION
R1	1	0.600 Ω \pm 1%, 0.5W sense resistor (1206) IRC LRC-LRF1206LF-01-R600-F
R2	1	100k Ω \pm 10% potentiometer
R3	1	20k Ω \pm 5% resistor (0805)
R4	1	100k Ω \pm 5% resistor (0805)
TP1	1	PC mini red test point
TP2	1	PC mini black test point
U1	1	Step-down HBLED driver (8 SO) Maxim MAX16822BASA+
—	2	Shunts (JU1, JU2)
—	1	PCB: MAX16822B Evaluation Kit+

Evaluates: MAX16822B/MAX16822A

MAX16822B Evaluation Kit

Component Suppliers

SUPPLIER	PHONE	WEBSITE
Central Semiconductor Corp.	631-435-1110	www.centralsemi.com
Coilcraft, Inc.	847-639-6400	www.coilcraft.com
IRC, Inc.	361-992-7900	www.irctt.com
Murata Electronics North America, Inc.	770-436-1300	www.murata-northamerica.com

Note: Indicate that you are using the MAX16822B when contacting these component suppliers.

Quick Start

Required Equipment

Before beginning, the following equipment is needed:

- MAX16822B EV kit
- 6V to 65V, 500mA power supply
- Two digital voltmeters
- A series-connected HBLED string rated no more than 350mA
- A current probe to measure HBLED current

Procedure

The MAX16822B EV kit is fully assembled and tested. Follow the steps below to verify board operation.

Caution: Do not turn on the power supply until all connections are completed.

Warning: Voltages exceeding 42V may exist on the LED+ and LED- output pads.

- 1) Verify that a shunt is not installed across jumper JU1 (enabled).
- 2) Verify that a shunt is installed across jumper JU2 (temperature simulation).
- 3) Connect the power supply's positive terminal to the VIN PCB pad on the EV kit. Connect the power supply's ground terminal to PGND PCB pad.
- 4) Connect the digital voltmeters across the VIN and PGND PCB pads and the LED+ and LED- PCB pads.
- 5) Connect the anode of the HBLED string to the LED+ pad.
- 6) Connect the cathode of the HBLED string to the LED- pad.
- 7) Clip the current probe across the HBLED+ wire to measure the HBLED current.

- 8) Turn on the power supply and increase the input voltage to 48V (HBLED dependent).
- 9) Using a voltmeter, verify that the voltage across TP1 and TP2 is > 2V. If it is not, adjust potentiometer R2 to obtain a reading > 2V.

Detailed Description of Hardware

The MAX16822B evaluation kit (EV kit) demonstrates the MAX16822B hysteretic constant-current HBLED driver in an 8-pin SO package. The MAX16822B EV kit is configured in a step-down topology with constant current, driving a string of user-supplied external HBLEDs. The MAX16822B EV kit operates from a DC supply voltage of 6V to 65V and requires up to 500mA. The MAX16822B IC's UVLO is configured from 6V to 6.5V internally.

The EV kit circuit is configured to deliver 350mA of current into a series HBLED string with a maximum 64V forward voltage. The average series inductor current is set to 333mA (typ) by resistor R1. The MAX16822B thermal foldback feature can be evaluated by connecting a negative temperature coefficient (NTC) thermistor to the TEMP_I and PGND PCB pads on the EV kit. Alternatively, a temperature-varying thermistor circuit can be simulated using potentiometer R2 and resistor R3. The EV kit also features a DIM PCB pad to evaluate digital PWM dimming operation of the external HBLEDs.

The MAX16822B EV kit PCB has been designed for maximum thermal dissipation when evaluating the MAX16832 IC. The PCB has thermal vias under U1 and additional thermal vias adjacent to U1's copper pad. These vias carry additional heat to the bottom layer ground plane for maximum thermal conductivity. However, these vias are not a PCB layout requirement for the MAX16822 design.

Jumper Selection

The MAX16822B EV kit features several jumpers to reconfigure the PWM and linear dimming, thermal foldback feature, and for reconfiguring the external HBLED current.

MAX16822B Evaluation Kit

Enable and HBLED Dimming Control

The MAX16822B EV kit features a jumper to enable and disable the MAX16822B IC (U1). Installing jumper JU1 disables the MAX16822B IC. Additionally, HBLED dimming is achieved on the MAX16822B EV kit by applying a digital PWM signal at the DIM PCB input pad. Remove the shunt at jumper JU1 to enable HBLED dimming using a digital PWM signal at the DIM and PGND PCB pads. Apply a digital PWM signal with a 0.6V logic-low (or less) and a 2.8V logic-high (or more) level and frequencies from 200Hz to 20kHz. To adjust the HBLED brightness, vary the signal duty cycle from 0 to 100%. See Table 1 for jumper JU1 setting of the HBLED dimming operation.

Table 1. Enable and HBLED Dimming (Jumper JU1)

SHUNT POSITION	DIM PIN	EV KIT ENABLE OR DIMMING OPERATION
Not installed	Connected to VIN through resistor R4	Enabled or analog dimming* (see Table 2)
Not installed	Connected to PWM signal	Enabled, PWM signal applied at DIM PCB pad
Installed	Connected to PGND	Disabled

*Analog dimming is achieved by placing a resistor (RDIM) across the TEMP_I and PGND PCB pads. Remove the shunt across jumpers JU1 and JU2 and use the following equation to calculate the current for the TEMP_I PCB pad resistor, which is necessary to reduce the HBLED driving current. Refer to the Analog Dimming section in the MAX16822A/MAX16822B IC data sheet for information on the analog dimming feature.

$$I_{LEDDIM} = I_{LED} [1 - 0.75 \times (2 - (RDIM \times 26.5\mu A))]$$

where RDIM is the TEMP_I pad resistor, ILEDDIM is the required current for the desired HBLED current, and ILED is configured for 322mA.

Alternatively, installing jumper JU2 and adjusting potentiometer R2 can simulate analog dimming. Or, for DC control analog dimming, install jumper JU2 and apply a DC voltage in the 0.7V to 2V range at the TP1 (positive) and TP2 (PGND) test points.

Thermal Foldback and Temperature Simulation

The MAX16822B EV kit features a thermal foldback and temperature simulation circuit available at the TEMP_I PCB pad and jumper JU2. Jumper JU2 sets the mode of operation, temperature simulation, or thermal foldback. Potentiometer R2 and resistor R3 form the adjustable temperature simulation circuit. Test points TP1 and TP2 (PGND) provide access to the signal for adjusting the voltage.

To evaluate the MAX16822B IC thermal foldback feature, remove jumper JU2 and connect an NTC thermistor to the TEMP_I and PGND PCB pads. Refer to the Thermal Foldback section in the MAX16822A/MAX16822B IC data sheet for information on using the thermal foldback feature. See Table 2 for configuring jumper JU2 for the desired mode of operation.

Table 2. Temperature Simulation and Thermal Foldback (Jumper JU2)

SHUNT POSITION	TEMP_I PIN	EV KIT OPERATION
Installed	Connected to R2 and R3	Temperature simulation
Not installed	Connected to external NTC thermistor	Thermal foldback

Setting External HBLED Current

Resistor R1 sets the MAX16822B EV kit average HBLED current up to 333mA. However, the HBLED average current can be set up to 350mA after replacing resistor R1. Use the following equation to calculate R1 when reconfiguring the HBLED current:

$$R1 = \frac{0.2V}{I_{LED}}$$

where ILED is the desired HBLED average current. Refer to the Selecting Rsense to Set LED Current section in the MAX16822A/MAX16822B IC data sheet for information on setting the HBLED current.

MAX16822B Evaluation Kit

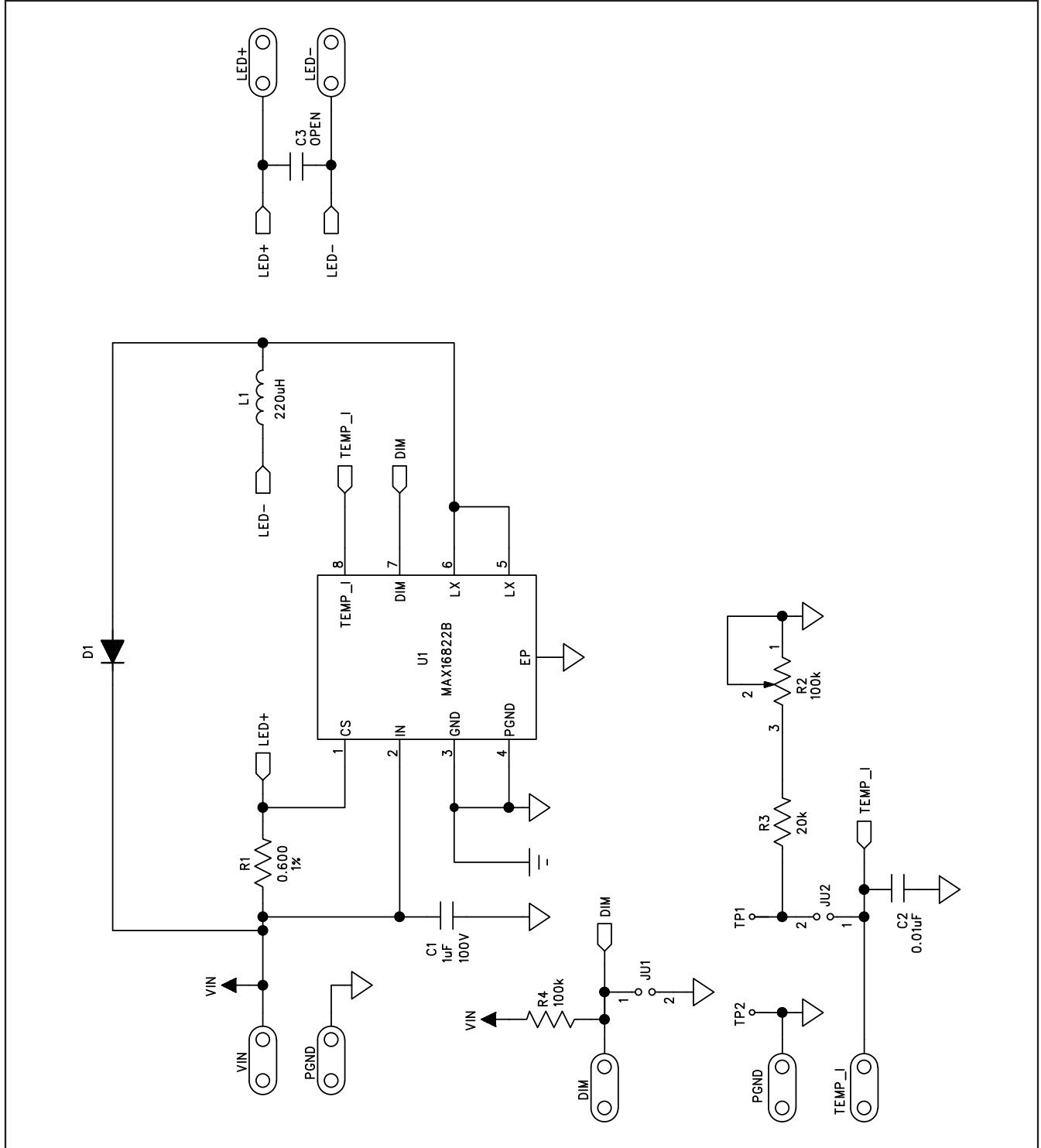


Figure 1. MAX16822B EV Kit Schematic

MAX16822B Evaluation Kit

Evaluates: MAX16822B/MAX16822A

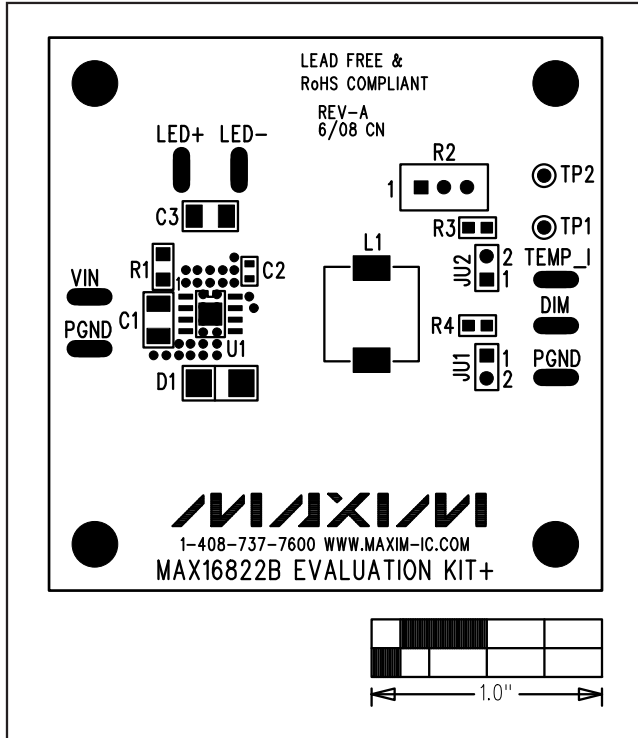


Figure 2. MAX16822B EV Kit Component Placement Guide—Components Side

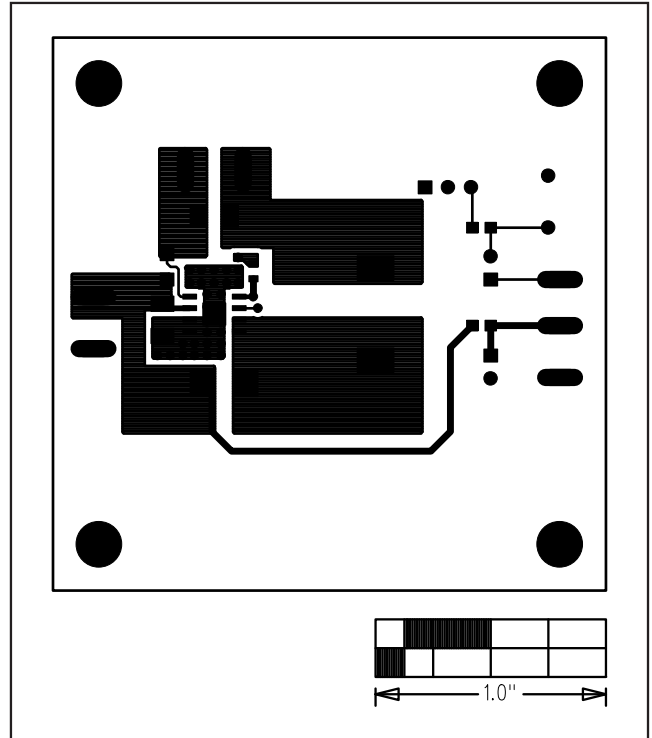


Figure 3. MAX16822B EV Kit PCB Layout—Component Side

MAX16822B Evaluation Kit

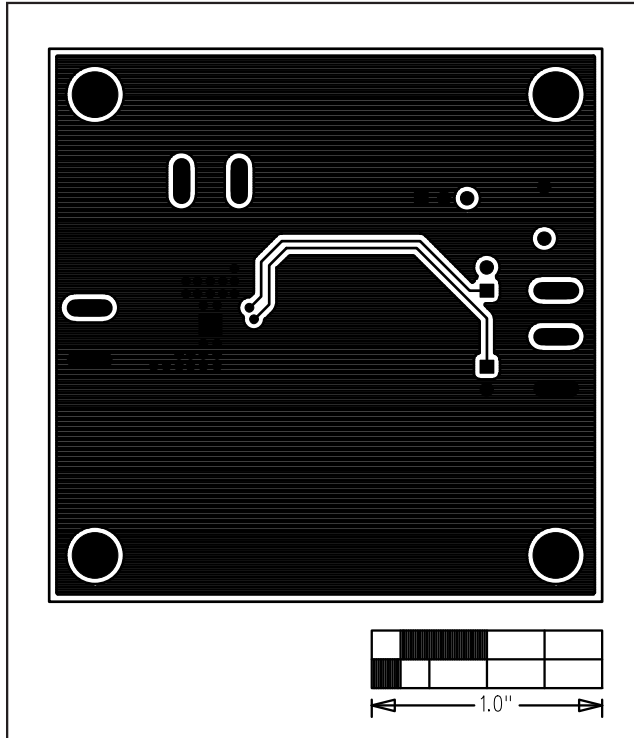


Figure 4. MAX16822B EV Kit PCB Layout—Solder Side

Maxim cannot assume responsibility for use of any circuitry other than circuitry entirely embodied in a Maxim product. No circuit patent licenses are implied. Maxim reserves the right to change the circuitry and specifications without notice at any time.

6 _____ **Maxim Integrated Products, 120 San Gabriel Drive, Sunnyvale, CA 94086 408-737-7600**